

# C/L Narrow Linewidth Tunable Laser Module

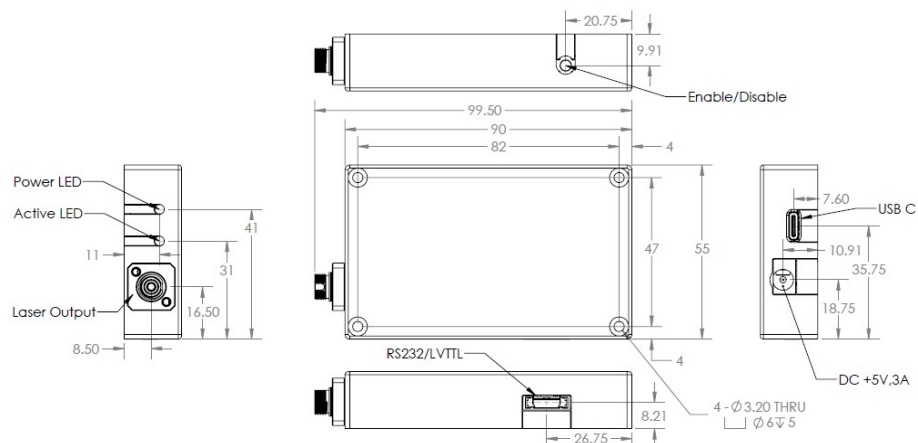
TLG-220-S-C/L-Mini-FA

- C-band/L-band wavelength coverage
- Narrow-linewidth (<100kHz) tunable laser
- Business card size



## Specification

Parameter	Value	Unit
Number of channel	1	ch
Output power range	C-band	+9.5 ~ +15.5
	L-band	+9.5 ~ +13.5
Optical power accuracy	+/- 1	dB
Wavelength range <sup>(1)</sup>	C-band	1528.900 ~ 1567.210
	L-band	1568.772 ~ 1611.787
Frequency range <sup>(2)</sup>	C-band	191.2900 ~ 196.0900
	L-band	191.1000 ~ 196.2500
Channel spacing	Continuous	
Frequency fine tune resolution	1	MHz
Frequency fine tune range	+/- 6.0	GHz
Frequency accuracy	+/- 2.5	GHz
Linewidth (FWHM), instantaneous	< 100	kHz
Side mode suppression ratio (SMSR)	> 40	dB
Relative intensity noise (RIN)	-145	dB/Hz
Polarization extinction ratio (PER)	> 18	dB
Warm-up time	30	s
Optical fiber type (Slow axis)	Panda PM1550	
Optical connector	FC/APC	
PC interface	USB-C	
Electrical connector	DC Jack, 2.1mm $\phi$	
Power supply	DC+5V, 3A	
Operating temperature	+15 to +40	$^{\circ}$ C
Storage temperature	-10 ~ +55	$^{\circ}$ C
Dimension (W x H x D)	55 x 15 x 90	mm
Weight	< 0.5	kg



## Ordering Information

TLG-200-S-C/L-Mini-FA

